

**ASCO - 2/2 PULSE VALVE 3/4"-1 1/2"**

SCE353A811

Solenoid pulse valve 2/2 NC 3/4" 230/50

- Currentless closed
- Thread or quick coupling
- Electric/Air controlled
- Housing in aluminium

**PRODUCT DESCRIPTION****TECHNICAL DATA****GENERAL DATA**

IP class	IP65
Flow factor / flow coefficient	14
Connection	3/4 BSP

**MATERIAL DATA**

Material of seals	NBR
Material body	Aluminium

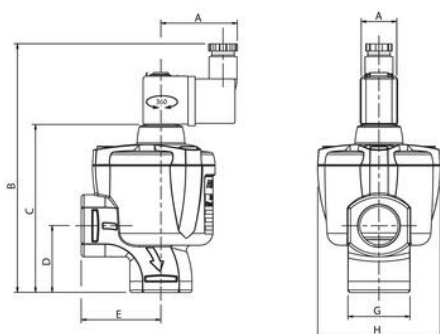
**TEMPERATURE DATA**

Temperature of media from	-20 °C
Temperature of media to	85 °C

**ADDITIONAL DATA**

Weight	0,52 kg
Pressure max	10 bar
Power consumption	6,3 W

<b>Throughput</b>	20 mm
<b>Voltage AC</b>	230 V
<b>Temperature operational min</b>	-20 °C
<b>Temperature operational max</b>	85 °C
<b>Material coil</b>	Epoxy
<b>Differential air pressure max</b>	8,5 bar
<b>Differential pressure max</b>	8,5 bar
<b>Differential pressure min</b>	0,3 bar
<b>Flow max</b>	233 l/min
<b>Function 1</b>	2/2
<b>Function 2</b>	Normally Closed (SPST)
<b>Material flask</b>	POM
<b>Material plunger</b>	Stainless steel
<b>Material short-circuit ring</b>	Copper
<b>Material spring</b>	Stainless steel



Ventil	A	B	C	D	E	F	G	H
SCE353A811	48	156	106	42	50	22	39	77
SCE353A821	48	162	112	51	62	22	46	77
SCE353A831	48	191	141	60	71	22	62	112