

DATALOGIC - LIGHT BEAM SG BODY COMPACT MUTING

SG4-S2-050-PP-W
 SG4-S2-050-PP-W 2 Beam Type 4

- Range up to 50 m
- Built-in muting
- "T" and "L" solutions

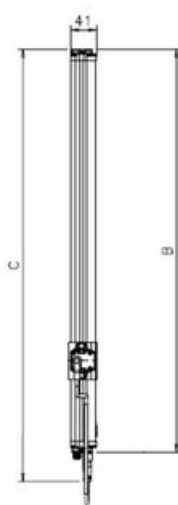


PRODUCT DESCRIPTION

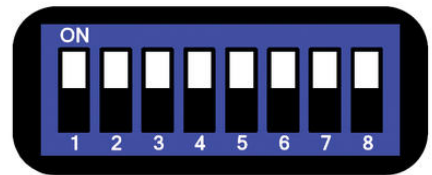
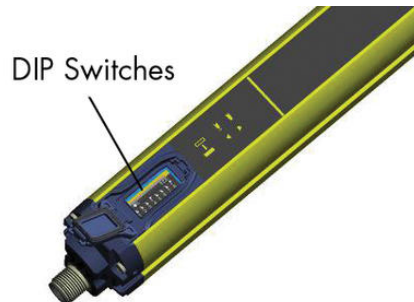
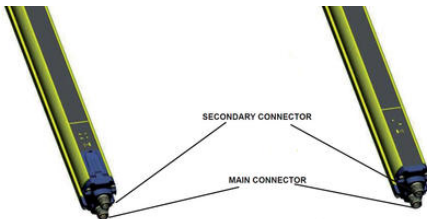
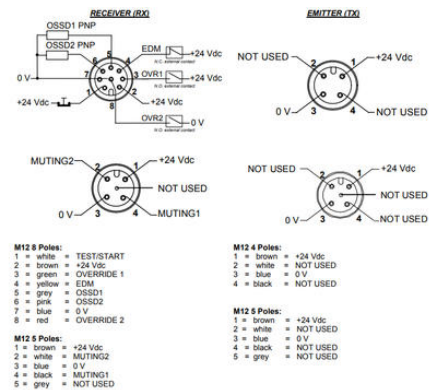
TECHNICAL DATA

Additional features	EDM, reset functions
Approvals	CE, cULus, TÜV
Cable connection receiver	Receiver M12, 8-pole shielded + M12, 5-pole for muting
Cable connection transmitter	Transmitter M12, 4-pole, shielded + M12, 5-pole for muting
Cable length max	50 m
Contact current max	0,5 A
Distance max	50 m
Function	Manual/automatic restart, Manual override, EDM
In compliance with	EMC, LVD, MD
IP class	IP65
Material of body	Aluminium
Number of beams	2
PL	e (EN ISO 13849-1)
Power consumption	Transmitter 1,6W. Receiver 4,2 W. (without load)
Protection height	500 mm
Range	0,5-50 m

Safe outputs	2 OSSD
SFF	98,93 %
SIL	3 (EN IEC 61508)
Supply voltage	24 V DC, stabilized
Supply voltage	24 V DC
Temperature operational max	55 °C
Temperature operational min	0 °C
Type	4
Voltage tolerance	±20 %



MODEL	B (mm)	C (mm)
SG 2 050	653	700
SG 3 080	953	1000
SG 4 090	1053	1100
SG 4 120	1353	1400



dip-sw	Function	ON	OFF
1,5	Muting time-out	10 min	∞
2,6	Muting	T config. (4 beams)*	L config. (2 beams)
3,7	EDM	Deactivated	Activated
4,8	Reset	Automatic	Manual

* Cross-beam muting is configured in the same way as T-muting.