



IDEM STAINLESS STEEL IP69K SAFETY INTERLOCK SWITCH KM-SS

204011HF

KM-SS ½NPT '2NC 2NO' - HF actuator

- Slim fitting suitable for most industrial applications
- Mirror polished surface (Ra10)
- 42mm wide x 118mm long
- IP69K Suitable for food applications
- Provides 8 actuator entry positions



PRODUCT DESCRIPTION

HYGIECAM Series Interlock Switches have a rugged Stainless Steel 316 body and have been designed to cope with the rigorous applications of the Food Processing, Pharmaceutical, Packaging and Petro-Chemical Industries. The surface finish is mirror polished to Ra10 to resist the accumulation of food debris and is suitable for high pressure hosing at high temperature.

They offer a compact slimline housing which will fit to areas where there are space restrictions and are sealed to IP69K enclosure protection. They can be high pressure hosed with most detergents at high temperature.

They are designed to fit to the leading edge of sliding, hinged or lift off machine guards. They provide a forced disconnect of the safety contacts at the withdrawal of the actuator and have an anti-tamper not easily defeatable mechanism.

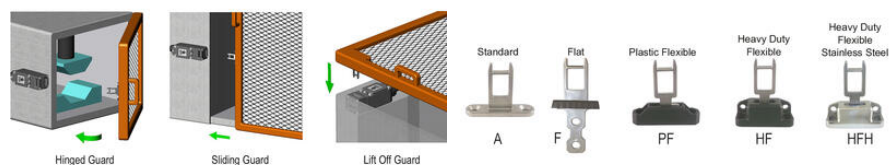
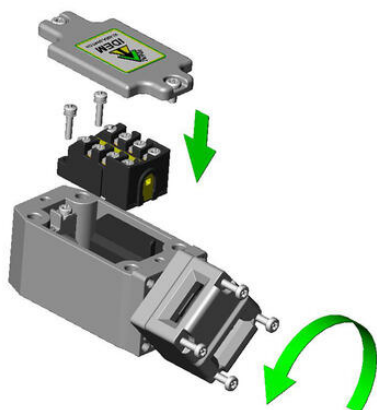
The rotatable heads have dual actuator entry positions to give up to 8 different entry positions.

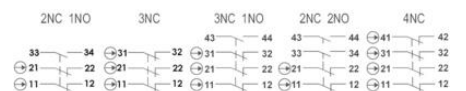
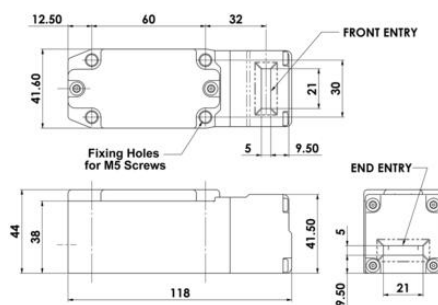
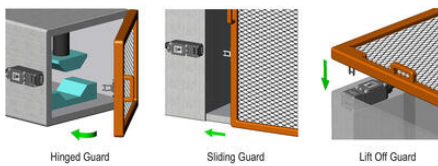
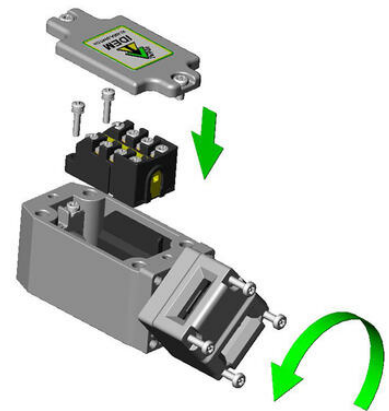
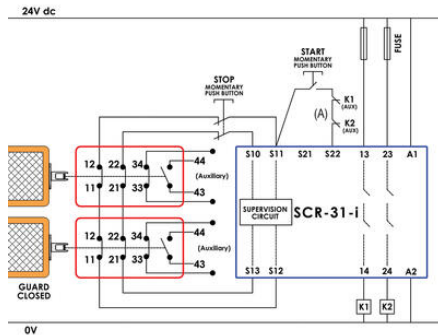
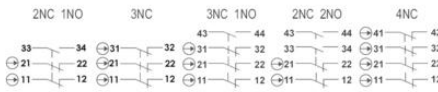
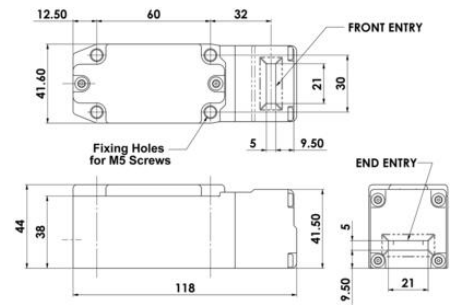


High holding force versions are available for applications where vibration can be a nuisance.

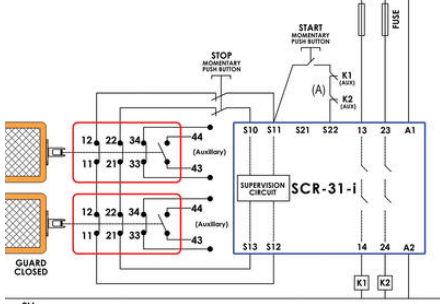
TECHNICAL DATA

Actuator	Heavy duty flexible
Annual usage	8 cycles per hour/24 hours a per day/365 days
Approvals	ISO 14119, EN60947-5-1, EN60204-1, ISO 13849-1, EN62061, UL 508
ATEX approved	No
Conduit entry	1/2" NPT
Contacts	2NC 2NO
Head material	Stainless steel 316
Housing material	Stainless steel 316
IP class	IP67, IP69K
Maximum approach / withdrawal speed	600 mm/s
Mechanical reliability B10d	2.5 x 10 ⁶ operations at 100mA load
Mounting	4 x M5
MTTFd	356 years
Operating temperature	-25..80°C
PFHd	3.44 x 10 ⁻⁸
PL	e acc. ISO13849-1
Rated insulation voltage	500V ac
SIL	3 acc. EN62061
Thermal current (I_{th})	5 A
Travel for positive opening	8 mm
Withstand voltage	2500V ac





24V dc



0V