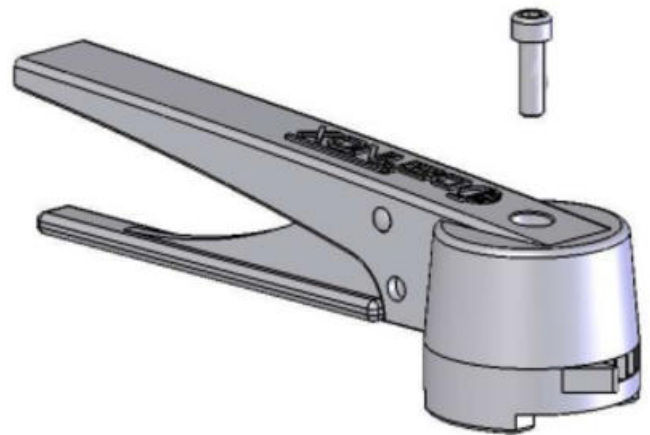


DEFINOX - SPARE PARTS FOR BUTTERFLY VALVE

For DPX and DPAX

DER-7006695
DPX Gasket EPDM Black 1"/DN 25

- Handle for butterfly valves stainless and plastic
- Gaskets for butterfly valves
- Sliding sleeve for butterfly valves



PRODUCT DESCRIPTION

TECHNICAL DATA

| | |
|------------------------------------|---|
| Certificate | FDA |
| Description | Do not use for products with oil / grease |
| Material quality | EPDM |
| Pressure max | 14 bar |
| Temperature operational max | 120 °C |
| Temperature operational min | 0 °C |
| Weight | 0,016 kg |