



ASCO - 3/2 ANGLE-SEAT VALVE 1/2"-2"

E390B002

Angle seat valve 1/2" NC 3/2

- Normally closed/open
- Working pressure 0 to 16 bar
- Housing in bronze
- Non-sensitive to dirt



PRODUCT DESCRIPTION

TECHNICAL DATA

GENERAL DATA

Connection	1/2 BSP
------------	---------

MATERIAL DATA

Material body	Bronze
Material of seals	PTFE

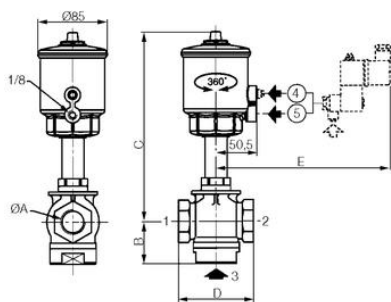
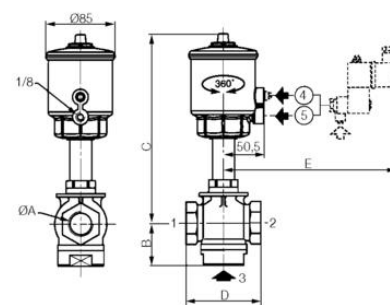
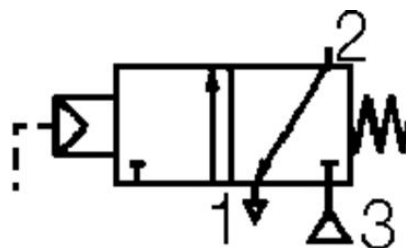
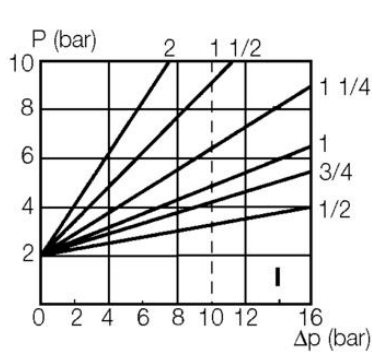
TEMPERATURE DATA

Temperature of media from	-10 °C
Temperature of media to	184 °C

ADDITIONAL DATA

Viscosity max	600 cSt
Approvals	SIL2
Weight	1,6 kg
Pilot pressure min	3 bar
Differential oil pressure max	16 bar
Function 2	Normally Closed

Differential air pressure max	16 bar
Connection air	1/8 BSP
Differential water pressure max	16 bar
Differential pressure min	0 bar
Material scraping seal	FPM
Material packing	Brass
Temperature operational max	60 °C
Material box stuffing	PTFE flask filled
Function 1	3/2
Type of valve	Seat valve
Temperature operational min	-10 °C
Material piston rod	Stainless steel
Material piston rod seal	Stainless steel
Throughput	15 mm
Material piston seal	PTFE
Pilot pressure max	10 bar
Material controls	Fiberglass reinforced polyamide
Differential steam pressure max	10 bar



ØA	B	C	D	E
1/2	39	198	68	153
3/4	44	203	84	153
1	52	212	92	153
1 1/4	57	237	110	153
1 1/2	61	244	125	153
2	69	253	145	153

