



ASCO - 3/2 SEAT VALVE AIR CONTROLLED 1/2"-2"

E398A001

Angle seat valve 1/2" 3/2 Universal

- Universal
- Working pressure 0 to 40 bar
- For temperatures up to +250 °C
- For viscosity up to 5,000 cSt



PRODUCT DESCRIPTION

TECHNICAL DATA

GENERAL DATA

Connection	1/2 BSP
------------	---------

MATERIAL DATA

Material body	Stainless steel 316L
Material of seals	Graphite

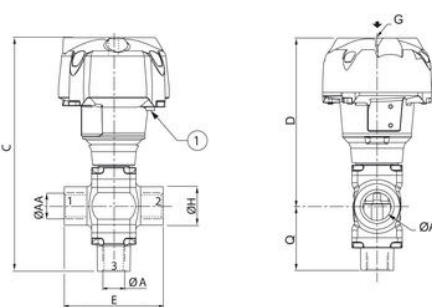
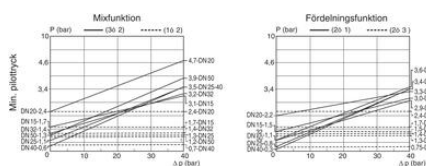
TEMPERATURE DATA

Temperature of media from	-10 °C
Temperature of media to	250 °C

ADDITIONAL DATA

Pressure max	40 bar
Viscosity max	5000 cSt
Approvals	SIL2
Weight	1,88 kg
Differential oil pressure max	40 bar
Function 2	Universal

Differential air pressure max	40 bar
Connection air	1/8 BSP
Differential water pressure max	40 bar
Differential pressure min	0 bar
Material packing	Stainless steel
Temperature operational max	180 °C
Material box stuffing	PTFE flask filled
Function 1	3/2
Type of valve	Seat valve
Temperature operational min	-25 °C
Differential pressure max	40 bar
Material piston rod	Stainless steel
Throughput	15 mm
Material piston seal	Bronze, PTFE
Pilot pressure max	10 bar
Material controls	Nickel plated aluminum
Differential steam pressure max	40 bar



Ventil (ØAA)	ØA	ØB	C	D	E	G	ØH	ØP	Q
1/2"	15	110	203,1	151,6	85	1/8	33	95	51,5
3/4"	20	132,5	229,2	170,9	110	1/8	40	117	58,3
1"	25	132,5	244,9	180,9	120	1/8	46	117	64
1 1/4"	32	191	318,2	237,2	145	1/4	57	172,5	81
1 1/2"	40	191	361,7	259,2	150	1/4	65	172,5	102,5
2"	50	247	436	328,5	190	1/4	75	230	107,5