

LUMEL RP1 SINGLE PHASE POWER CONTROLLER

RP111

RP1 Power Controller, 25A Max Current Output, 85-135V ac

- Contactless power switching on
- Output current up to 125 A
- Alarming relay outputs
- Control by an impulse, analogue or potentiometer signal

TABLE 49. RP1 ORDERING CODE:

		RP1 -	X	X	X
Maximal current output:					
25 A			1		
40 A			2		
70 A	load voltage: 24...400 V a.c. 50/60 Hz		3		
125 A			4		
Gate triggering system (GTS):					
supply voltage	85...115...135 V a.c.			1	
supply voltage	195...230...253 V a.c.				2
Acceptance tests:					
	without extra requirements				0
	with an extra quality inspection certificate				1
	acc. to customer's request				X

PRODUCT DESCRIPTION

The RP1 power controller is ideal for automatic temperature control systems in electro thermal devices.

It can be used in with resistance or inductive loads and resistance loads with a high temperature resistance coefficient.

The RP1 power controller is a contactless power energy electronic device which includes a thyristor connector and electronic gate trigger system (GTS).

This power controller allows to change the power delivered from the a.c. voltage source to the electric energy load in the function of the analog or pulse driving signal value.

The system of two or three power controllers can be applied in three-phase actuators.

Kind of control:

- On/Off control
- pulse control: fast cycle, slow cycle
- phase control

Maximal current output:

- 25A, 40A, 70A, 125A

Additional functions:

- load current limitation
- trigger deceleration of soft start type
- control of the initial trigger angle value
- control of the input line amplification
- trigger stoppage by an external signal
- supervising and signalling of current in the load circuit
- output $U = f(I_o)$
- supervising of the radiator temperature
- overload signalling
- signalling of the fuse damage
- Output of "Master/Slave" type
- relay outputs

External dimensions:

135 x 231 x 199mm

TECHNICAL DATA

Dimensions	135 x 201 x 199 mm
IP class	IP20
Output	maximal output current 25 A
Supply voltage	85 .. 115 .. 135 V a.c.
Temperature operational max	40 °C
Temperature operational min	0 °C
Weight	4,5 kg

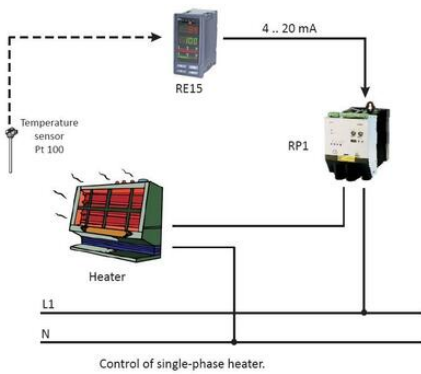


TABLE 49. RP1 ORDERING CODE:		
RP1 -	X	X X
Maximal current output:		
25 A		1
40 A	load voltage:	2
70 A	24...400 V a.c. 50/60 Hz	3
125 A		4
Gate triggering system (GTS):		
supply voltage 85...115...135 V a.c.		1
supply voltage 195...230...253 V a.c.		2
Acceptance tests:		
without extra requirements		0
with an extra quality inspection certificate		1
acc. to customer's request		X

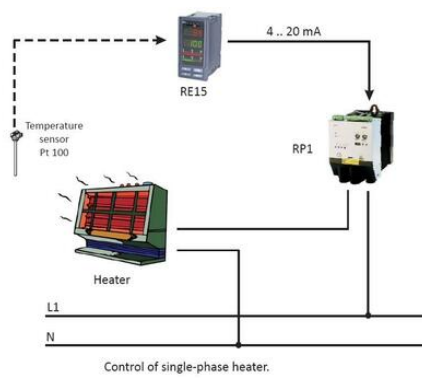
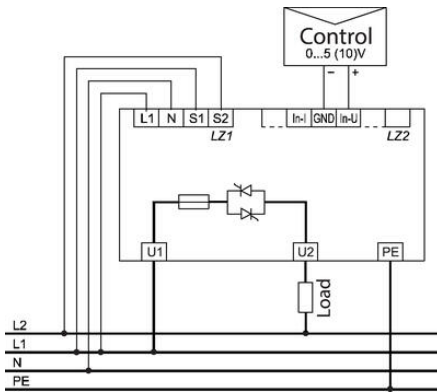
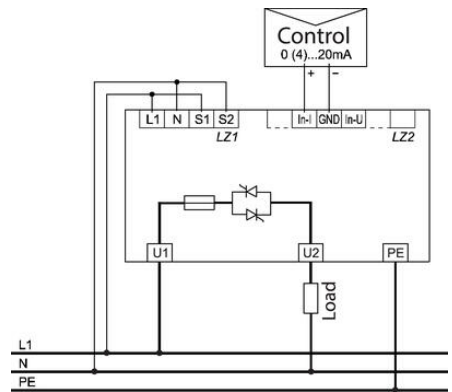


TABLE 49. RP1 ORDERING CODE:		
RP1 -	X	X X
Maximal current output:		
25 A		1
40 A	load voltage:	2
70 A	24...400 V a.c. 50/60 Hz	3
125 A		4
Gate triggering system (GTS):		
supply voltage 85...115...135 V a.c.		1
supply voltage 195...230...253 V a.c.		2
Acceptance tests:		
without extra requirements		0
with an extra quality inspection certificate		1
acc. to customer's request		X

