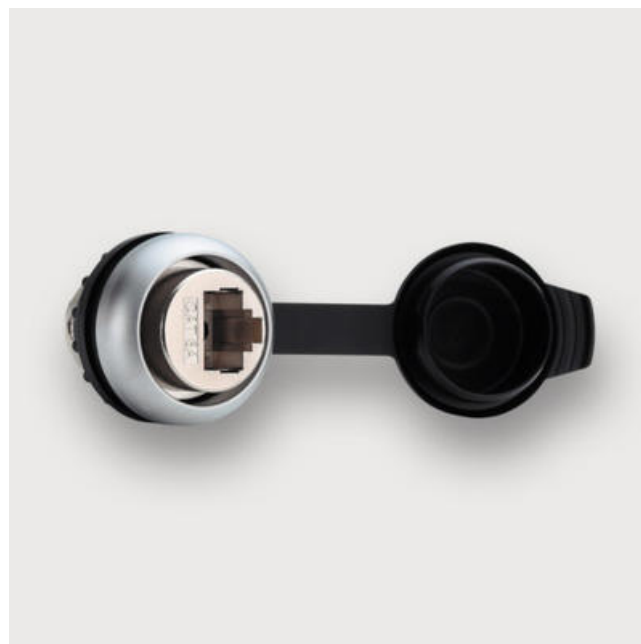


RJ45 PANEL SOCKETS

492075

RJ45 panel mount connector with M22 thread for front installation, female / female, Cat.5e

- IP65 rating
- wide operating temperature range between -25°C and +70°C
- Cat 5e/ Cat 6A options available

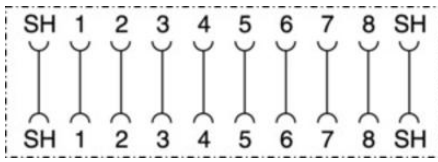


PRODUCT DESCRIPTION

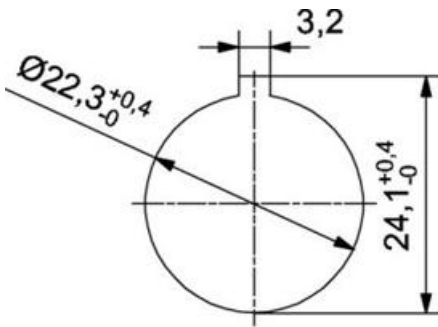
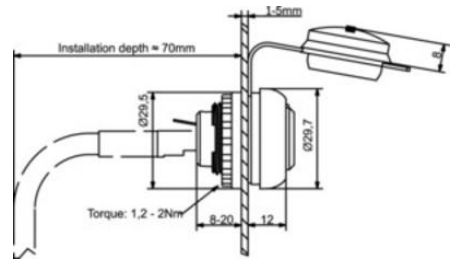
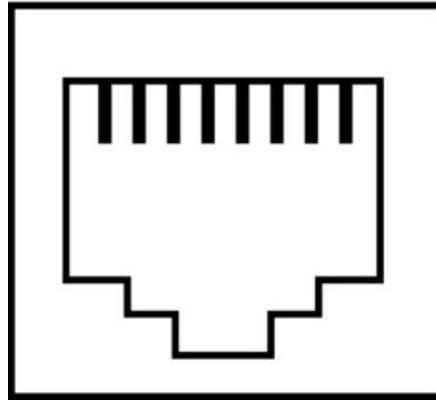
Lutze panel mount sockets are great for adding an RJ45 connection to an electrical cabinet, control panel or distribution board. Rated at IP65, these sockets are robust and perfect for an industrial or outdoor environment. The sockets include a protective cap and have a wide operating temperature range between -25°C and +70°C.

TECHNICAL DATA

Approvals	cULus
Contact material	Gold plated
IP class	IP65
Material	PA
Rated current	1,5 A
Storage temperature max	80 °C
Storage temperature min	-25 °C
Temperature operational max	70 °C
Temperature operational min	-25 °C
Weight	0,016 g



1 2 3 4 5 6 7 8



front view:

