

## ELECTROMEN - EM-339-PLI

Parallel drive for 2 x DC motors 12-24 V dc,  
2x10A

### EM-339-PLI

Parallel drive for 2 x DC motors 12-24 V dc, 2x10A,  
pulse FB



- 12-24Vdc, 2x10A continuous, 2x20A 25% duty
- Synchronized parallel driving
- Operates with pulse feedback from motors
- Homing cycle & end of travel limits set by pulse counting
- Programmable with wide range of motor control functions

## PRODUCT DESCRIPTION

The EM-339-PLI drive has been designed for driving two 12-24Vdc actuators or motors in parallel synchronisation.

The synchronisation is achieved by comparing 2-channel quadrature pulse feedback (max freq input 700Hz per channel) from each motor. The drive will compensate small differences by adjusting the motor speeds & if synchronisation can still not be achieved the drive will stop the motors to avoid any potential mechanical problems. The homing routine function is to reset/balance pulse counts.

In a compact 78 x 73 x 25mm package, the drive can provide up to 2 x 10A continuous current (@ 2KHz PWM freq setting). Din rail kits are available for mounting inside a control panel.

With up to 24 settable parameters via the EM-236 plug in module or EM-268 USB connection with Ementool PC software, it is a fully programmable cost effective solution for many applications. For volume projects a fully factory customised solution can be provide to suit customer specific requirements.

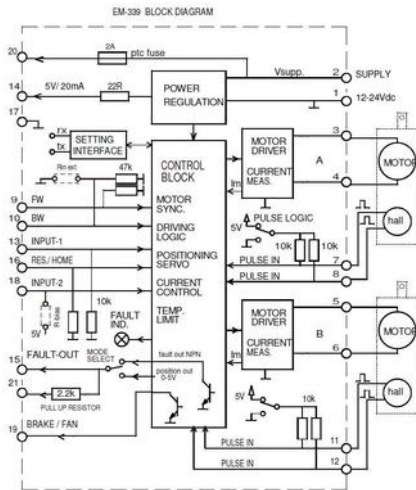
### Key features

- Four quadrant – Speed, direction, acceleration/deceleration and braking control
- End of travel limits – Pulse counting or limit switch input
- Current and temperature limiting – For protection against overload
- Auto-reverse – Anti-trap safety function upon current limit activation
- Brake output – 2A output for releasing magnetic brakes
- Fault output & on board LED – To identify fault conditions

## TECHNICAL DATA

<b>Analogue input</b>	0-5V, 0-10V or 4...20mA
<b>Control type</b>	Speed, Braking, Direction, Torque, Position, Soft start / stop
<b>Current setting range</b>	1-25 A
<b>Dimensions length x width x height</b>	78x73x25mm mm
<b>Logic input high</b>	>4V = ON
<b>Logic input low</b>	<1V = OFF
<b>Max continuous current</b>	2x10 A
<b>Mounting</b>	DIN rail
<b>Operating temperature</b>	-20°C...+60°C

<b>Peak current</b>	2x20 A
<b>PWM frequency</b>	2kHz/16kHz
<b>Suitable engine</b>	DC
<b>Supplier</b>	Electromen
<b>Supply voltage</b>	12 V DC, 24 V DC
<b>Weight</b>	110 g



EM-339 WIRING EXAMPLES

