

ELECTROMEN - EM-366

Brushless motor driver 12-48V, 30/25A, Modbus

EM-366

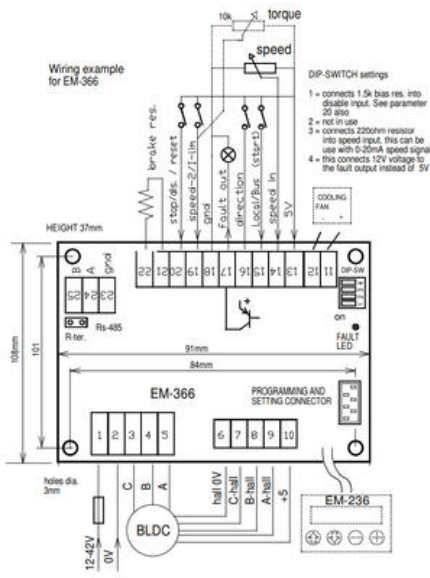
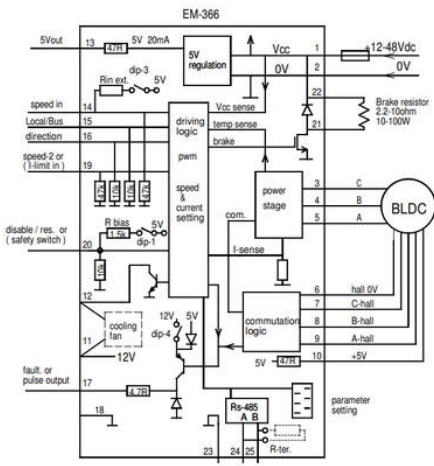
- 12-48Vdc, 25A continuous, 30A peak
- Open & closed loop (hall sensor feedback) control operation
- Speed, direction, current limiting, soft start/stop and regen braking
- Positional version available (SBL)
- Compact, DIN rail mountable



PRODUCT DESCRIPTION

TECHNICAL DATA

Analogue input	0-5V or +/-0-10V or 0-5V or 0-10V
Control type	Speed, Braking, Direction, Torque, Soft start / stop
Current setting range	1-60 A
Logic input high	>4V = ON
Logic input low	<1V = OFF
Mounting	DIN rail
Peak current	60 A
PWM frequency	16kHz
Suitable engine	BLDC
Supplier	Electromen
Supply voltage	12 V DC, 24 V DC, 36 V DC
Weight	270 g



- DIP-SWITCH settings
- 1 = connects 1.5k bias res. into disable input. See parameter 20 also
 - 2 = not in use
 - 3 = connects 220ohm resistor into speed input. this can be use with 0.25mA speed signal
 - 4 = this connects 12V voltage to the fault output instead of 5V

