

## DEFINOX - SAMPLING VALVE - 6/8 - PEX - PEAX

Manual and pneumatic

DE-PD006H11100  
Sampling Valve PEX, Tank, Manual plastic handle, 6/8,  
VMQ

- Simple and safe solution for sampling
- 3.1 EN10204 - EHEDG
- SIP or CIP
- Compact pneumatic actuator
- Fast and easy membrane replacement



### PRODUCT DESCRIPTION

PEX Test outlet valve

Specifications:

- DN 6/8

Materials:

- Body: stainless steel 1.4404 / 316L machined from solid item
- Handle: white plastic or stainless steel 1.4301 / 304
- Membrane: FKM (black / green with spot) - WMQ (white) - EPDM (black) - PFA / EPDM (white - hard)

Connections:

- Welding on tank
- Clamp
- Welding on pipes
- Exterior thread

Controls:

- Manual - PEX - Ergonomic handle
- Pneumatic

Surface:

- RA exterior = 0.8  $\mu\text{m}$
- RA inside = 0.8  $\mu\text{m}$  standard (0.4  $\mu\text{m}$  on request)

Operating conditions:

- Max. temperature: + 120 ° C
- Min. temperature: 0 ° C
- Max. working pressure: 10 bar

ACS Control Top

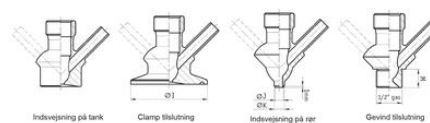
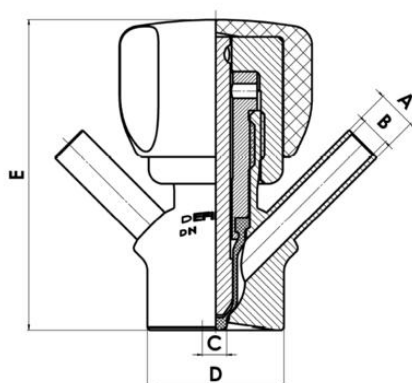
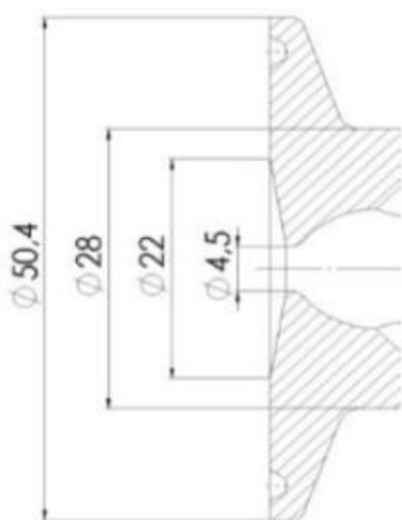
Definox LED Controllers allow you to monitor and control your valves from a central monitoring system and provide real-time warnings for any malfunctioning conditions so that immediate action can be taken and production stops can be minimized. The Definox LED Controller is configurable bar and user-friendly and offers a host of features.

### TECHNICAL DATA

Certificate

3.1 EN10204

<b>Connection type</b>	Vessel
<b>Description</b>	Manual plastic handle
<b>Housing</b>	Aisi 316L / 1.4404
<b>Housing</b>	VMQ
<b>Inner diameter</b>	4,5 mm
<b>Material membrane</b>	Silicone
<b>Outer diameter</b>	28 mm
<b>Process connection</b>	1 x 6/8 pipe
<b>Surface finish</b>	RA<0,8/1,2µm



## Clamp Ø 50,4

