

DEFINOX - SAMPLING VALVE - 10/12 PEX - PEAX

Manual and pneumatic

DE-PD010H11100
Sampling Valve PEX, Tank, Manual plastic handle,
10/12, VMQ

- SIP or CIP
- Simple and safe solution for sampling
- Compact pneumatic actuator
- Fast and easy membrane replacement
- 3.1 EN10204 - EHEDG



PRODUCT DESCRIPTION

PEX Sampling Valve

Specifications:

- DN 10/12

Materials:

- Body: stainless steel 1.4404 / 316L machined from solid item
- Handle: white plastic or stainless steel 1.4301 / 304
- Membrane: FKM (black / green with spot) - WMQ (white) - EPDM (black) - PFA / EPDM (white - hard)

Connections:

- Welding on tank
- Clamp
- Welding on pipes
- Exterior thread

Controls:

- Manual - PEX - Ergonomic handle
- Pneumatic

Surface:

- RA exterior = 0.8 μm
- RA inside = 0.8 μm standard (0.4 μm on request)

Operating conditions:

- Max. temperature: + 120 ° C
- Min. temperature: 0 ° C
- Max. working pressure: 10 bar

ACS Control Top

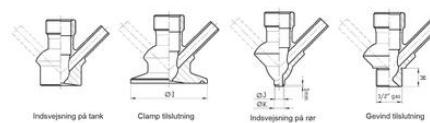
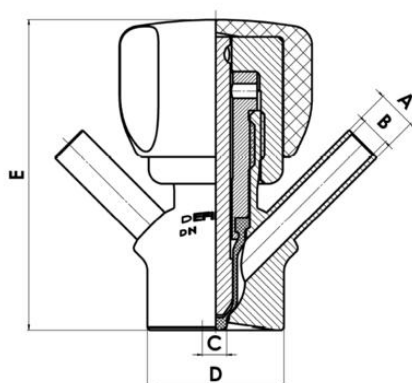
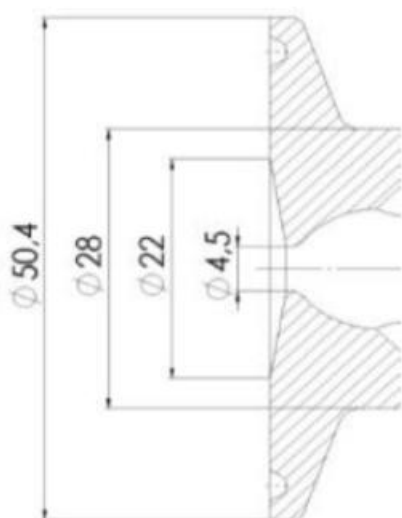
Definox LED Controllers allow you to monitor and control your valves from a central monitoring system and provide real-time warnings for any malfunctioning conditions so that immediate action can be taken and production stops can be minimized. The Definox LED Controller is configurable bar and user-friendly and offers a host of features.

TECHNICAL DATA

Certificate

3.1 EN10204

Connection type	Vessel
Description	Manual plastic handle
Housing	Aisi 316L / 1.4404
Housing	VMQ
Inner diameter	8 mm
Outer diameter	36 mm
Process connection	1 x 10/12 pipe
Surface finish	RA<0,8/1,2µm



Clamp Ø 50,4



Indsvejsning på tank Clamp tilslutning Indsvejsning på rør Gevind tilslutning