

## DEFINOX - DCX3 OVERFLOW VALVE

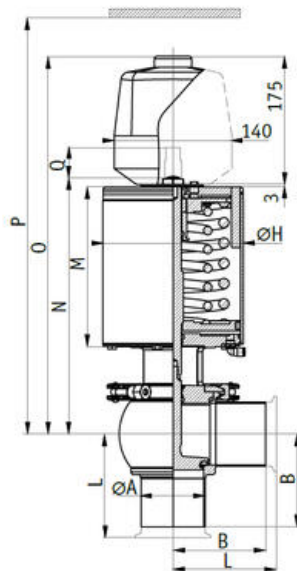
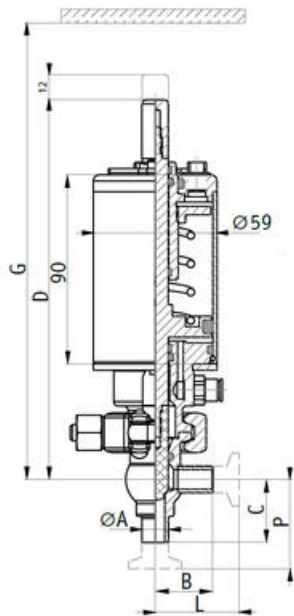
Small size

00123  
 DCX 3 overflow valve

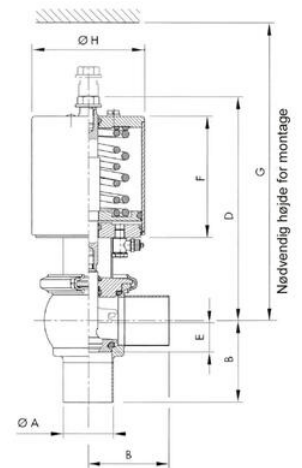
- Control system integrated in the inside of the valve
- Ensures protection of preset pressure value
- Precise adjustment pressure adjustment
- High accuracy in case of overpressure
- Balanced plug minimizes kickback

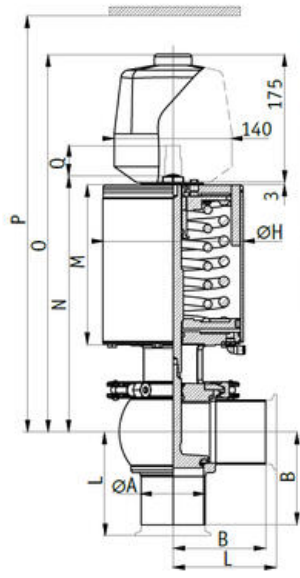
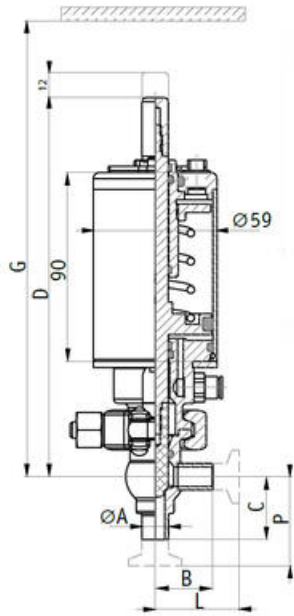


### PRODUCT DESCRIPTION



Hus: L form





Hus: L form

