

DEFINOX - NEOS

Pneumatic

DE-WS025A17100

Seat valve NEOS, L1-body, NC pneumatic, 1", PFA

- NEOS double sealed valve
- Leak Detection
- Economically attractive
- PTFE membrane
- PFA elastomeric structure



PRODUCT DESCRIPTION

Definox NEOS Valve.

Meets the strongest requirements for process technology and is the ideal solution for food, brewery, cosmetics, and pharmaceutical processes. This seat valve design offers a wide range of options and variants.

NEOS double sealed valve, with leak detection and without elastomer seal, combines different technologies into a unique result to meet market demands in terms of cleaning, durability and sanitary applications.

The NEOS valve benefits from patented technology and meets the recommendations of EHEDG in its design. The valve is especially suitable for CIP "Cleaning In Place" since the valve does not use elastomeric gaskets in contact with the process fluid.

It is an economically attractive alternative to double seat valves as it provides a sufficient level of protection for product lines prior to pasteurization and supply networks (CIP - water flush), allowing frequent cleaning and use of aggressive products.

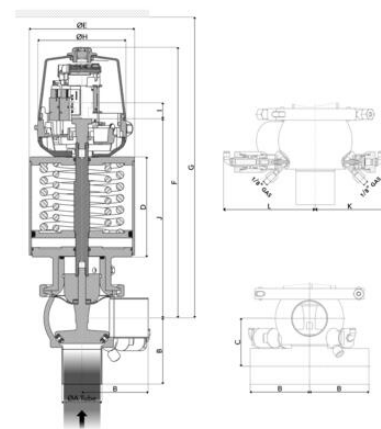
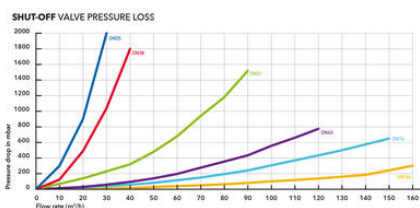
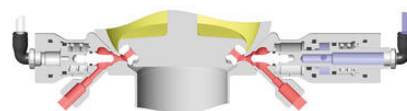
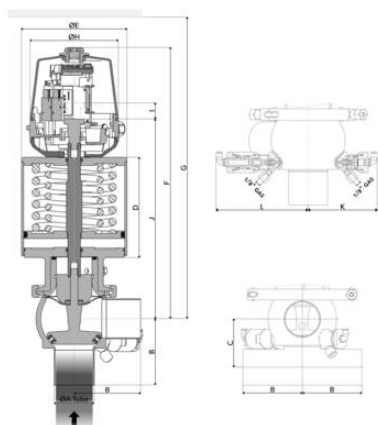
Technical Advantages:

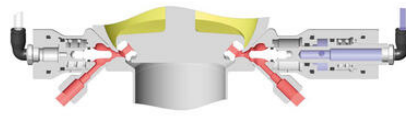
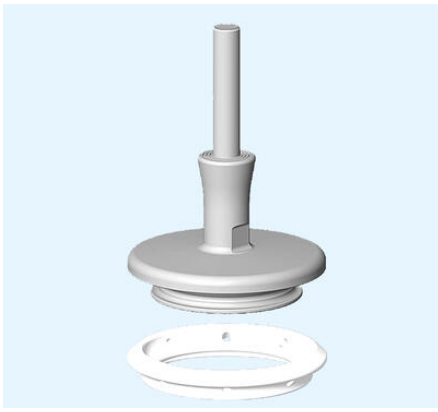
- From DN 25 to 104
- PTFE deformable sealing diaphragm- provides a physical barrier to the outside.
- Leak indicator NO and cleaning microvalve are controlled separately using ACS control unit
- Spherical body with thick walls - ensures excellent resistance to expansion.
- Different body configurations possible - + T L
- single piece plug without threads or welds.
- Pneumatic actuator - removable and easily transformable NO-NC
- Supports overpressures under the plug with release to the leak chamber
- Leak indicator - instantaneous visualisation if any leaks
- Complete interchangeability of subcomponents

TECHNICAL DATA

Certificate	3.1 EN10204
Connection type	Weld ends
Description	EHEDG Design
Design norm	SMS
Housing	L1-Body

Housing	PFA
Inner diameter	22,6 mm
Material controls	Stainless steel AISI 304
Material membrane	PTFE
Material quality	1.4404
Material seat seal	PFA
Operating pressure max	8 bar
Outer diameter	25 mm
Pilot pressure max	7 bar
Pilot pressure min	5,5 bar
Surface finish	RA<0,8/1,2µm
Temperature range	-5°C/+140°C
Weight	4,5 kg





L-hus



T-hus



X-hus

SHUT-OFF VALVE PRESSURE LOSS

