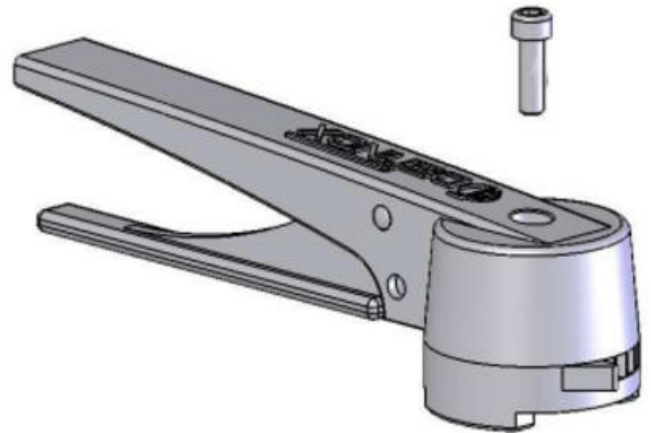


DEFINOX - SPARE PARTS FOR BUTTERFLY VALVE

For DPX and DPAX

DER-7006695
DPX Gasket EPDM Black 1"/DN 25

- Handle for butterfly valves stainless and plastic
- Gaskets for butterfly valves
- Sliding sleeve for butterfly valves



PRODUCT DESCRIPTION

TECHNICAL DATA

Certificate	FDA
Description	Do not use for products with oil / grease
Material quality	EPDM
Pressure max	14 bar
Temperature operational max	120 °C
Temperature operational min	0 °C
Weight	0,016 kg