



GNR SERIES 90MM RELAY

GNR25DCZ

DIN Rail 3ph SSR 90mm 600V ac 25A, 4-32V dc In, ZC



Crydom

- Load current 25A
- Operating Voltage 48-600 VAC
- Control Voltage 4-32 VDC, 90-140 VAC and 180-280 VAC



PRODUCT DESCRIPTION

These relays offer a broad range of power ratings which makes them suitable for diverse applications. Their high reliability and efficient design have made of them a market favorite for many years.

- Current rating: 25 amps
- Output voltage rating: 48-600 VAC
- Direct Bond Copper (DBC) Substrate
- LED input status indicator
- UL 508 Endurance Rating for Enhanced Reliability
- UL/CSA/TUV Approved, CE Compliant
- Built-in overvoltage protection
- DIN Rail or Panel Mount
- Zero voltage or Instantaneous turn-on output

TECHNICAL DATA

OVERVIEW

Output current	25 A
Output voltage	48-600V ac
Control voltage	4-32V dc
Connection	Screw connection
Type of control	Zero voltage turn on
Activation	0 V

Additional features	Overvoltage protection built in
----------------------------	---------------------------------

OUTPUT SPECIFICATION

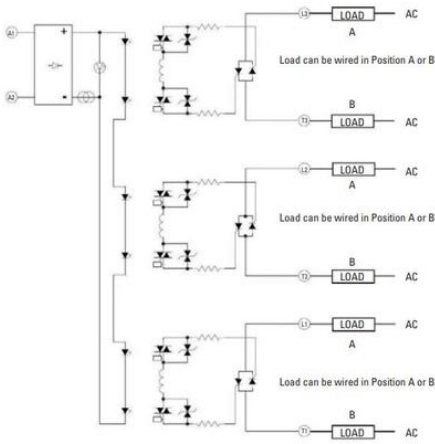
Output voltage	48-600V ac
Peak voltage	1100 V
Peak current	130 A
Voltage drop over semiconductor at max	1,3 V
Number of poles	3
I²t value	410 A ² s

INPUT SPECIFICATION

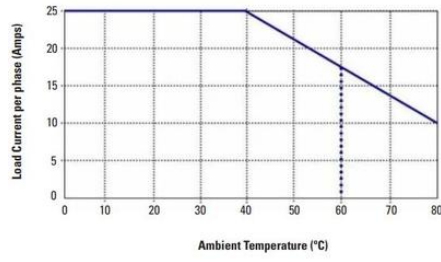
Control voltage	4-32V dc
Turn-off voltage	1 V
Input current min	22 mA
Input current max	28 mA
Response time	10 ms
Release time	10 ms

GENERAL SPECIFICATION

Insulation voltage in/out	4000 V
Temperature operational min	-20 °C
Temperature operational max	80 °C
Storage temperature max	100 °C
Storage temperature min	-40 °C
Weight	600 g
Height	91,2 mm
Width	90 mm
Depth	123,4 mm
LED indication	Input status indication
Approvals	CE, CSA, EMC, UL
IP class	IP20



GNR25xxx



*GNR25A Series rated to 60°C max ambient

