

## GNR SERIES 90MM RELAY

GNR25DCZ

DIN Rail 3ph SSR 90mm 600V ac 25A, 4-32V dc In, ZC

- Load current 25A
- Operating Voltage 48-600 VAC
- Control Voltage 4-32 VDC, 90-140 VAC and 180-280 VAC



### PRODUCT DESCRIPTION

These relays offer a broad range of power ratings which makes them suitable for diverse applications. Their high reliability and efficient design have made of them a market favorite for many years.

- Current rating: 25 amps
- Output voltage rating: 48-600 VAC
- Direct Bond Copper (DBC) Substrate
- LED input status indicator
- UL 508 Endurance Rating for Enhanced Reliability
- UL/CSA/TUV Approved, CE Compliant
- Built-in overvoltage protection
- DIN Rail or Panel Mount
- Zero voltage or Instantaneous turn-on output

### TECHNICAL DATA

#### OVERVIEW

Type of control	Zero voltage turn on
Connection	Screw connection
Additional features	Overvoltage protection built in
Output current	25 A
Activation	0 V
Control voltage	4-32V dc

Output voltage	48-600V ac
----------------	------------

## OUTPUT SPECIFICATION

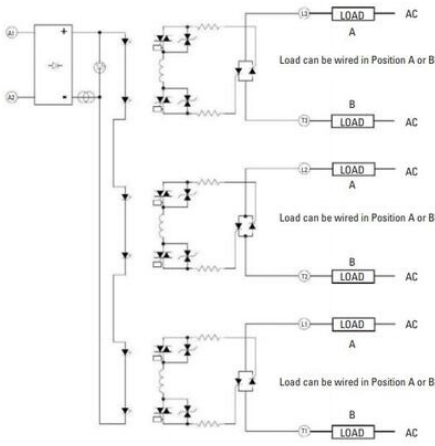
Peak current	130 A
Number of poles	3
I <sup>2</sup> t value	410 A <sup>2</sup> s
Voltage drop over semiconductor at max	1,3 V
Peak voltage	1100 V
Output voltage	48-600V ac

## INPUT SPECIFICATION

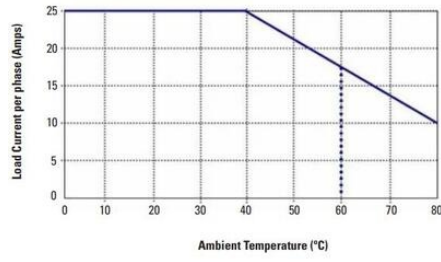
Turn-off voltage	1 V
Input current max	28 mA
Release time	10 ms
Response time	10 ms
Input current min	22 mA
Control voltage	4-32V dc

## GENERAL SPECIFICATION

IP class	IP20
Depth	123,4 mm
Storage temperature min	-40 °C
Insulation voltage in/out	4000 V
Temperature operational max	80 °C
Weight	600 g
Width	90 mm
Storage temperature max	100 °C
Temperature operational min	-20 °C
LED indication	Input status indication
Approvals	CE, CSA, EMC, UL
Height	91,2 mm



### GNR25xxx



\*GNR25A Series rated to 60°C max ambient

