



ELECTRONIC HYGROTHERM - ETF 012

ETF

01230.1-00

ETF 012 Hygro, 0...60°C, 50...90% RH, change over, 24-48V dc

- Temperature and humidity regulation
- LED indication of active values
- High breaking capacity
- Quick mount for DIN rail



PRODUCT DESCRIPTION

This electronic hygrotherm detects humidity and temperature and operates a relay contact to switch in a heater or fan when one of the set values is reached. LED indication is clearly visible behind each setting knob and illuminates when set value is reached.

TECHNICAL DATA

GENERAL DATA

Control range temperature from	0 °C
Control range temperature to	60 °C
Hysteresis temperature	2K @ +25°C, 50% RH
Control range humidity from	50 % RH
Control range humidity to	90 % RH
Hysteresis humidity	4% RH @ +25°C, 50% RH
Mounting	Clip on, DIN rail
Contact type	Changeover (SPDT)
Colour	Light grey

RATED OPERATING CONDITIONS

Voltage max	60 V dc
Voltage min	20 V dc

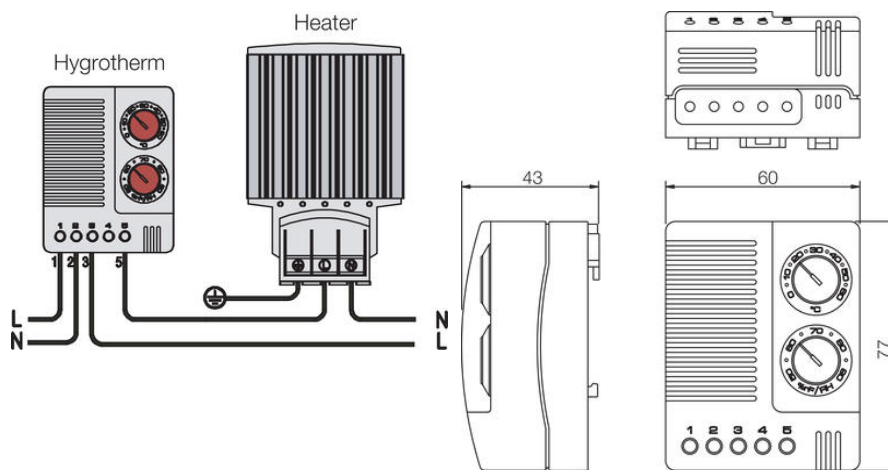
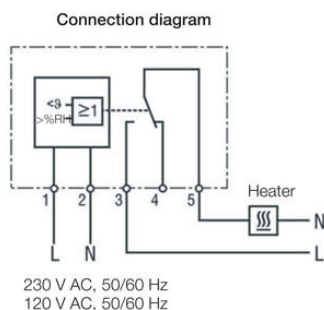
Inrush max	30 A
Breaking capacity	Resistive load: 240 V AC 10 (1,6) A, inductive load, $\cos\phi=0,6$: 240 V AC 3 A, 120 V AC 3 A. 24 V DC 4 A
Contact resistance	<10 m Ω
Connection type	5-pole terminal
Operational temperature	-40°C ... +60°C
Storage temperature	-40°C ... +60°C
Life span	VDE: NO/NC > 15,000 cycles, UL: NO/NC > 30,000 cycles
Operating humidity	< 90% RH
Humidity storage	<90% RH

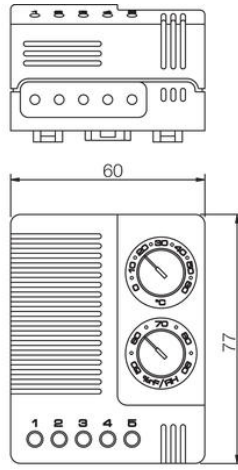
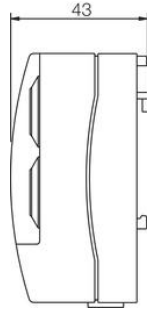
DIMENSIONS

Height	77 mm
Width	60 mm
Depth	43 mm
Weight	0,2 kg
Material of body	Plastic

SAFETY & APPROVALS

Plastic cover	Light grey plastic, UL94 V-0
IP class	IP20
Approvals	CE, cULus, EAC, RoHS, UL, UL E164102, VDE
Flammability class	UL94-V0
EMC	EN 55014-1-2, EN 61000-3-2, EN 61000-3-3





Connection diagram

