

ELECTRONIC HYGROTHERM - ETF 012

ETF

01230.1-00
ETF 012 Hygro, 0...60°C, 50...90% RH, change over,
24-48V dc

- Temperature and humidity regulation
- LED indication of active values
- High breaking capacity
- Quick mount for DIN rail



PRODUCT DESCRIPTION

This electronic hygrotherm detects humidity and temperature and operates a relay contact to switch in a heater or fan when one of the set values is reached. LED indication is clearly visible behind each setting knob and illuminates when set value is reached.

TECHNICAL DATA

GENERAL DATA

Mounting	Clip on, DIN rail
Contact type	Changeover (SPDT)
Hysteresis humidity	4% RH @ +25°C, 50% RH
Control range humidity to	90 % RH
Control range temperature to	60 °C
Colour	Light grey
Hysteresis temperature	2K @ +25°C, 50% RH
Control range humidity from	50 % RH
Control range temperature from	0 °C

RATED OPERATING CONDITIONS

Operational temperature	-40°C ... +60°C
Inrush max	30 A

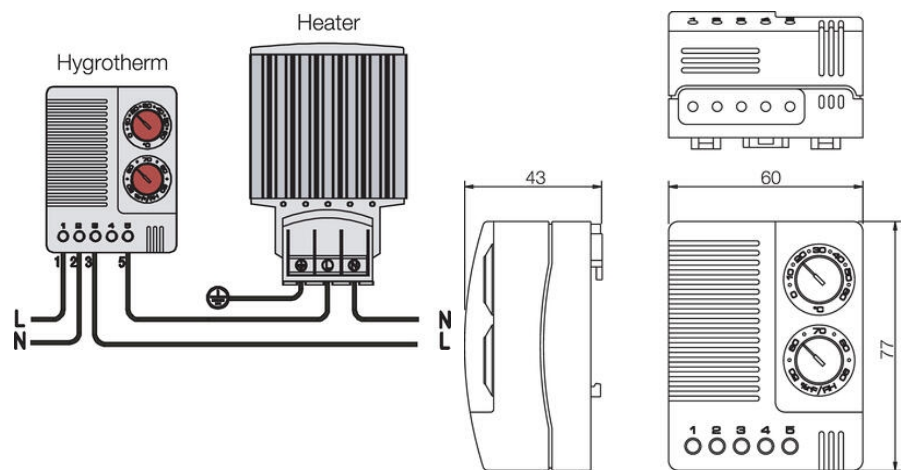
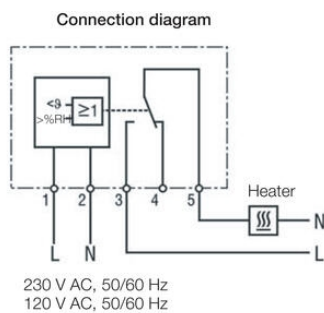
Voltage max	60 V dc
Connection type	5-pole terminal
Voltage min	20 V dc
Storage temperature	-40°C ... +60°C
Life span	VDE: NO/NC > 15,000 cycles, UL: NO/NC > 30,000 cycles
Humidity storage	<90% RH
Operating humidity	< 90% RH
Contact resistance	<10 mΩ
Breaking capacity	Resistive load: 240 V AC 10 (1,6) A, inductive load, cosφ=0,6: 240 V AC 3 A, 120 V AC 3 A. 24 V DC 4 A

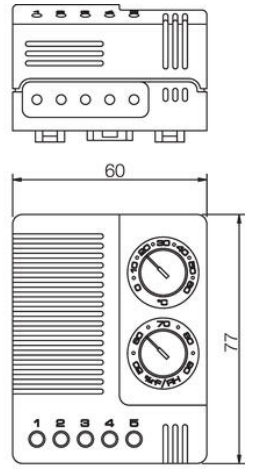
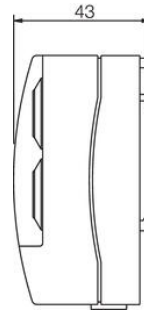
DIMENSIONS

Weight	0,2 kg
Depth	43 mm
Width	60 mm
Material of body	Plastic
Height	77 mm

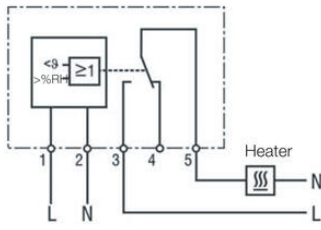
SAFETY & APPROVALS

Flammability class	UL94-V0
IP class	IP20
Plastic cover	Light grey plastic, UL94 V-0
Approvals	CE, cULus, EAC, RoHS, UL, UL E164102, VDE
EMC	EN 55014-1-2, EN 61000-3-2, EN 61000-3-3





Connection diagram



230 V AC, 50/60 Hz
120 V AC, 50/60 Hz

