

DATALOGIC MATRIX 120 IMAGER

MATRIX120210110
937800007, Ultra-compact, WVGA, SER+ETH, 1D only

- WVGA or 1.2 MP resolution
- Detects 1D and 2D code types
- Up to 57 fps
- Integrated communication via RS-232/RS-422/USB 2.0 high speed, Ethernet 10/100: Ethernet, Profinet I/O



PRODUCT DESCRIPTION

The Matrix 120™ from Datalogic is the smallest ultra-compact industrial imager on the market, that can fit into any integration space, with embedded ethernet connectivity option.

Available in different models, a WVGA sensor is for standard applications, or the 1.2MP sensor for high resolution bar codes. A wide angle version is what makes the Matrix120™ the perfect solution for proximity reading, characterized with top industrial grade parts providing IP 65 protection. ESD safe models are perfect for applications in the electric industry, featuring a glass free reading window which is ideal for the food and beverage industry.

The Matrix 120™ leads the market in customer ease of use because of DL.CODE™ configuration software, X-Press™ button and intuitive HMI.

Ideal for applications where small dimensions, simple integration and performance are key drivers:

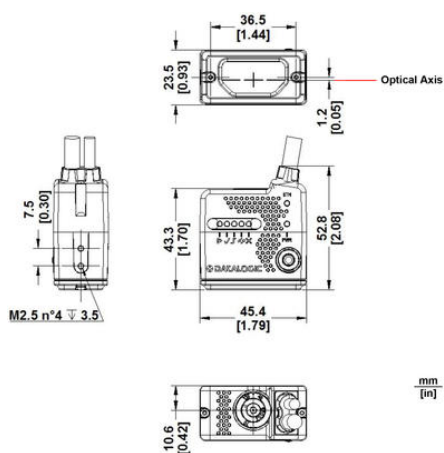
- Chemical/Biomedical industry
- Print & Apply applications
- Entry level applications in the Factory Automation area
- Electronics
- Packaging
- Food/Beverage

TECHNICAL DATA

1D Code types

Auto discriminates all standard 1D codes

Cable length	1000 mm
Connection type	SER+ETH
Digital inputs	2
Digital outputs	2
Dimension (mm)	45.4 x 48.5 x 23.5
Distance max	190 mm
Distance min	25 mm
Frame rate max	57 fps
Integrated communication interface	Ethernet 10/100: Ethernet, Profinet I/O, RS-232/RS-422
IP class	IP65
Lens material	Plastic
Material of body	Aluminium
Multi label reading	Yes
Power consumption	2,4 W
Programming options	DL.CODE, Serial Host Mode programming, X-PRESS Human Machine Interface
Readable code types	1D / Linear Codes
Resolution	WVGA - 752x480 px
Sensor Type	CMOS
Shutter type	Global
Storage temperature max	70 °C
Storage temperature min	-20 °C
Supply voltage	5 - 30 V DC
Temperature operational max	45 °C
Temperature operational min	0 °C
Weight	200 g



mm
[in]

