



## IDEM KLTM LOCKING SWITCH

450001

KLTM (Mechanical Only) M20 24v



- Electric release
- 4 key entry positions
- 2 x LED indicator
- Locking force up to 2000 N
- Dimensions 105 mm x 150 mm



### PRODUCT DESCRIPTION

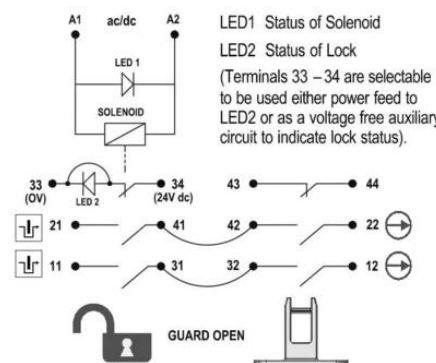
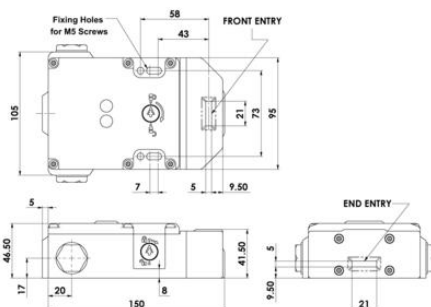
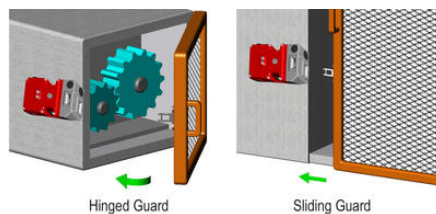
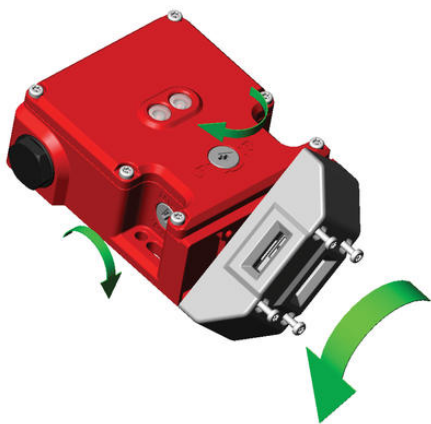
Locking switch with RAMZLOCK KLTM locking, made of cast metal, with locking force up to 2000N. The breaker head is made of stainless steel. The switch has 2 LEDs that show the status of the solenoid and the state of the blockage. It also has a rotatable head, which provides 4 key entry positions for easy and flexible mounting. The KLTM switch has a standard spacing between the mounting holes - 73 mm.

In the event of a voltage drop, the switch can be opened in an emergency without any special keys. The switch is available in the version: voltage release.

### TECHNICAL DATA

<b>Actuator</b>	Not included
<b>Annual usage</b>	8 cycles per hour/24 hours per day/365 days
<b>Approvals</b>	ISO 13849-1, ISO 14119, EN60204-1, EN62061, EN60947-5-1, UL 508
<b>Conduit entry</b>	M20
<b>Contact type</b>	4NC safety contacts, 1NO auxiliary contact (guard open), 1NO auxiliary contact (guard locked) (selectable option for LED2 guard locked)
<b>Contacts</b>	4NC 2NO
<b>Head material</b>	Stainless steel 316
<b>Holding force (F1Max)</b>	3000 N
<b>Housing material</b>	Die cast metal

<b>IP class</b>	IP67
<b>LED indication</b>	LED1 red solenoid power on, LED2 green switch locked (if selected)
<b>Manual operation</b>	Standard manual release lid and side
<b>Maximum approach / withdrawal speed</b>	600 mm/s
<b>Mechanical reliability B10d</b>	2.5 x 10 <sup>6</sup> operations at 100mA load
<b>Mounting</b>	2 x M5
<b>MTTFd</b>	356 years
<b>Operating temperature</b>	-25..40°C
<b>PFHd</b>	3.44 x 10 <sup>-8</sup>
<b>PL</b>	e acc. ISO13849-1
<b>Rated insulation voltage</b>	600V ac
<b>SIL</b>	3 acc. EN62061
<b>Solenoid Voltage</b>	24V ac/dc
<b>Thermal current (I<sub>th</sub>)</b>	5 A
<b>Travel for positive opening</b>	10 mm
<b>Utilisation category</b>	AC15, A300, 3 A
<b>Withstand voltage</b>	2500V ac



	6.0	5.0	0mm
11/12	Open		
21/22	Open		
33/34			Open
43/44			Open

