



## LED FLASHING BEACON/SOUNDER, CS1

C111621005

LED Alarm sounder, Red housing, Amber, 24 V dc, CS1

- Vertical or horizontal mount, cost effective beacon with sounder
- 86-106 dB Range
- Flashing beacon with 32 tones



### PRODUCT DESCRIPTION

The CS1 is a cost effective combination-module with flashing LEDs. Tone selection and noise levels are set using internal dip-switches and the unit is IP65 for mounting both indoors and outdoors.

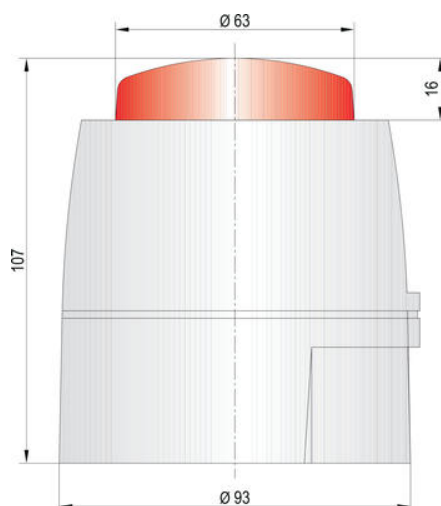
With 32 different tone settings available the CS1 is suitable for many signalling applications.

- cost effective LES flashing beacon electronic multitone siren
- 32 tones
- tone type and volume selectable via DIP switch
- low nominal current (11 - 37 mA)
- quick fit installation by bayonet fixing
- lateral cable entry possible

### TECHNICAL DATA

<b>Flash frequency</b>	1 Hz
<b>Housing Colour</b>	Red
<b>IP class</b>	IP65
<b>Lens colour</b>	Orange
<b>Light source</b>	LED
<b>Light type</b>	Orange LED
<b>Mounting</b>	Horizontal, Vertical
<b>Nominal current max</b>	0,041 A
<b>Nominal current min</b>	0,014 A
<b>Number of tones</b>	32

Sound control	Yes
Sound level max	109 dB
Sound level min	88 dB
Supply voltage	24 V
Supply voltage ac/dc max	35 V
Supply voltage ac/dc min	18 V
Temperature operational max	70 °C
Temperature operational min	-20 °C
Tone frequency max	2900 Hz
Tone frequency min	440 Hz
Weight	258 g



Tontabelle / Tone table

No.	Sound	Tone frequency	DR-switch	2nd stage alarm (Hz)
1	LF Sweep	800 - 1000 Hz @ 10 sec	11111	800 cont
2	Alarm control BS standard	900 Hz @ 2 Hz	11111	800 cont
3	Mobile Tone BS standard	900 Hz @ 0.5 sec	11101	800 cont
4	Alarm control BS standard	1000 Hz @ 2 Hz	11100	800 cont
5	LF Back up alarm tone	1000 Hz @ 1 sec on/off	11101	200 cont
6	LF Back up alarm	1000 Hz @ 1.0 sec on/off	11101	800 cont
7	LF Back up alarm tone - Int	1000 Hz @ 1.0 sec on/off	11100	800 cont
8	LF Chirp tone BS602	800 Hz cont	11000	Same tone
9	Swedish tone 1 Hz	800 Hz @ 1 Hz	10111	800 cont
10	Australian slow whoop	Intermittent 970 Hz 0.625 ms on/0.625 ms off	10110	800 cont 3.75 sec on 0.25 sec off 800-500
11	Dutch sweep tone	970 Hz cont	10101	800 cont 0.5 sec on 0.5 sec off
12	Swedish sweep tone	1000 Hz @ 2 Hz	10100	800 cont
13	Swedish tone 2 Hz	1000 Hz @ 2 Hz	10001	800 cont
14	Alarm LF alarm tone	1000 Hz @ 2 Hz	10010	200 cont
15	Swedish tone	1000 Hz @ 2 Hz	10000	200 cont
16	US Temporal Pattern LF	250 Hz for 0.5 sec on 0.5 sec off x3 then 1.5 sec then repeat	10000	800 cont
17	Intermittent tone BS standard	Intermittent tone 800 Hz @ 0.5 sec on/off	01111	800 cont
18	BS 6201 LF BS6202 Pt 1 8 Hz	Intermittent 970 Hz 100 ms on/500 ms off	01110	Same tone
19	Intermittent tone mobile	1000 Hz @ 0.5 sec on/off	01101	800 cont
20	SC903 LF	Intermittent 100 Hz on 400 ms off	01100	Same tone
21	Chirp tone Int	1000 Hz	01101	800 cont
22	LF tone	800 Hz @ 1 Hz	01101	800 cont
23	LF Chirp tone	800 Hz	01101	200 cont
24	Swedish tone 2 Hz	800 Hz @ 2 Hz	01100	800 cont
25	Camera 1 Hz tone	Intermittent 120-300 Hz @ 1 Hz	00111	800 cont
26	Swedish tone mobile	Intermittent 660 Hz 100 ms on / 150 ms off	00110	Same tone
27	French tone AS90	Stable for 800 ms and 140 Hz for 500 ms	00110	800 cont
28	Swedish LF alarm tone	Intermittent 600 Hz Intermittent 600 Hz @ 0.5 sec on/off	00100	Same tone
29	US Temporal Pattern LF	Intermittent 1000 Hz @ 0.5 sec on/off off for 1.5 sec then repeat	00101	200 cont
30	Swedish 2 min ramp 1 short	Intermittent 660 Hz rising then falling @ 25 Hz	00010	800 cont
31	EP BS31 - 1 tone	Intermittent tone 800/970 Hz @ 2 Hz	00010	800 cont
32	Swedish 2 min ramp 1 long	Intermittent 660 Hz 3 sec rising / 3 sec falling	00010	800 cont

