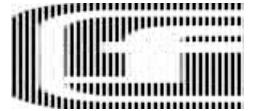




RQG STRAIGHT, QUICK-TYPE, METRIC

5020.055.210

RQG1-M AD10 M10x1,0 straight black



- Metric or PG thread
- Straight
- RQG IP 68/ IP 69K
- RQG1 IP 66



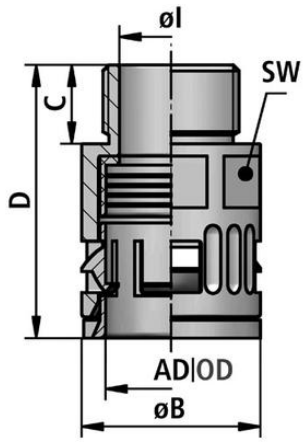
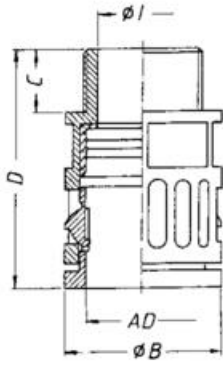
PRODUCT DESCRIPTION

RQG and RQG1 connectors are made of polyamide. They are highly resistant against oil, various acids and solvents. Halogen-free.

RQG is rated IP68, RQG1 IP66.

TECHNICAL DATA

Approvals	CPT, cRUus, Lloyd's, REACH, RoHS, VDE
Colour	Black
Hose dimension AD	10
IP class	IP66
Material	Polyamide
Pack size	50
Temperature operational max	120 °C
Temperature operational min	-40 °C
Thread	M10



	AD	ϕl	ϕB	C	D
M10x1,0	10	6,5	17,0	12,0	34,5
M12x1,5	13	8,0	20,0	12,0	37,0
M16x1,5	15,8	10,0	23,0	12,0	39,0
M20x1,5	21,2	16,0	29,5	13,0	44,5
M25x1,5	28,5	20,5	37,0	13,0	47,0
M32x1,5	34,5	27,5	44,0	15,0	51,0
M40x1,5	42,5	35,0	51,5	15,0	53,5
M50x1,5	54,5	45,0	65,5	16,0	55,0