

RQW 90° ELBOW, QUICK-TYPE

5020.051.210

RQW1-M AD10 M10x1,5 elbow 90° black

- Metric
- Connector with 90° elbow



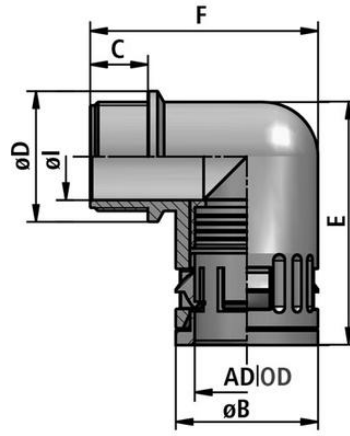
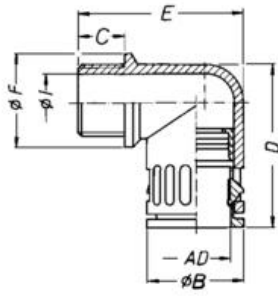
PRODUCT DESCRIPTION

RQW connectors are IP68 rated plastic quick-type connectors for ROHRflex conduits. The connector end has an integrated snap-in sleeve with sealing, metric thread on the other end.

RQW-1 connectors are rated IP66, conically sealed. Both types made of polyamide, also available in grey color.

TECHNICAL DATA

Approvals	CSA 22.2, cRUus, Lloyd's, UL, VDE
Colour	Black
Hose dimension AD	10
IP class	IP66
Material	Polyamide
Pack size	50
Temperature operational max	120 °C
Temperature operational min	-40 °C
Thread	M10x1,0
Weight kg / 100 ± 10%	0,4



	AD	øI	øB	C	D	E	øF
M10x10	10,0	7,0	17,0	12	33,5	34,0	16,0
M16x1,5	13,0	12,0	20,0	12	36,0	36,5	20,0
M20x1,5	15,8	15,5	23,0	13	42,0	41,5	24,0
M25x1,5	21,2	18,0	29,5	13	50,0	49,0	29,5
M32x1,5	28,5	24,0	37,0	15	57,0	59,0	37,0
M40x1,5	34,5	32,0	44,0	15	67,5	67,0	45,0
M50x1,5	42,5	39,0	52,0	16	83,0	75,5	55,0
M63x1,5	54,5	53,0	64,0	16	88,0	86,5	68,0